

# Traditional II

Tub Shower Trim

UF79600

UF79603

UF79605



## Installation/Installation/Instalación

### **CUSTOMER SERVICE**

**TOLL-FREE 1-888-OK-ULTRA (658-5872)**



### Tools You Will Need / Outils dont vous aurez besoin / Herramientas necesarias



Adjustable Wrench

Clé à molette

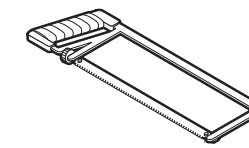
Llave ajustable



Pipe Tape

Ruban pour tuyau

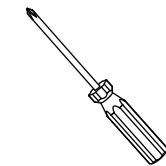
Cinta selladora para rosca



Hacksaw

Scie à métaux

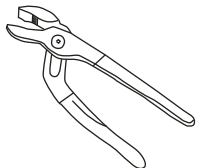
Sierra para metales



Phillips Screwdriver

Tournevis cruciforme

Destornillador cruciforme



Groove join pliers

Pince multiprise

Pinzas ajustables

### **SAFETY TIPS**

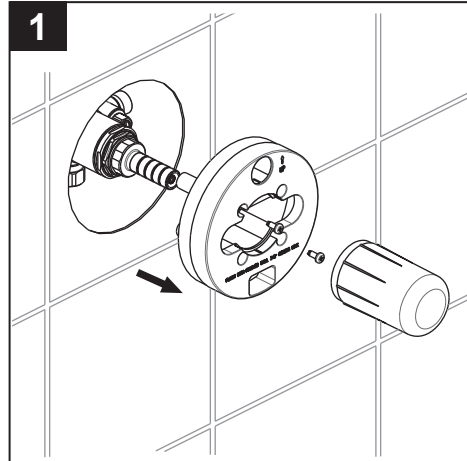
- If you use soldering for the installation of the faucet, the seats, cartridges and washers will have to be removed before using flame. Otherwise, warranty will be void on those parts.
- Cover your drain to avoid losing parts.
- 0°C~55°C

### **CONSIGNES DE SÉCURITÉ**

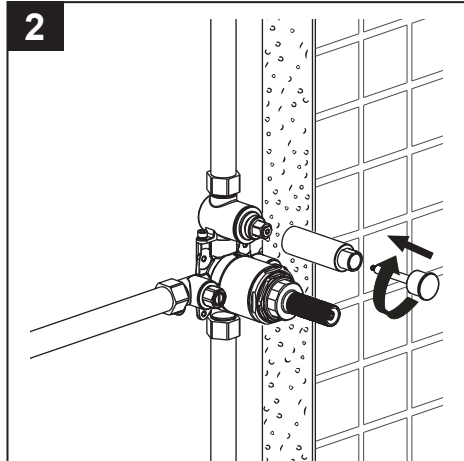
- Si vous posez le robinet par brasage, il est essentiel de retirer les sièges, les cartouches et les rondelles avant d'appliquer la flamme, faute de quoi la garantie sur ces pièces sera annulée.
- Couvrez le drain pour ne pas perdre des pièces.
- 0°C~55°C

### **CONSEJOS DE SEGURIDAD**

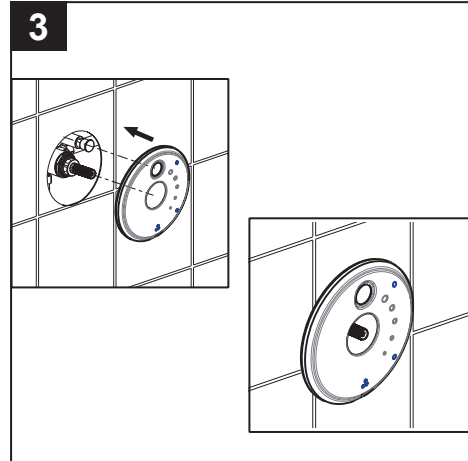
- En el caso de utilizar soldadura para instalar el grifo, remueva los asientos, cartuchos y arandelas antes de usar la llama. De lo contrario, se anulará la garantía para esos componentes.
- Tape la boca del desagüe para prevenir la pérdida de piezas pequeñas.
- 0°C~55°C



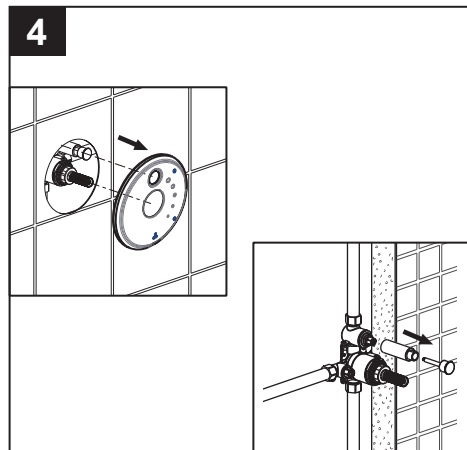
Remove the mud guard.



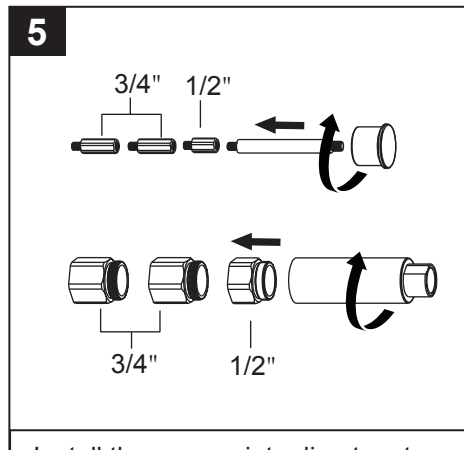
Install diverter sleeve, stem and button onto the valve.



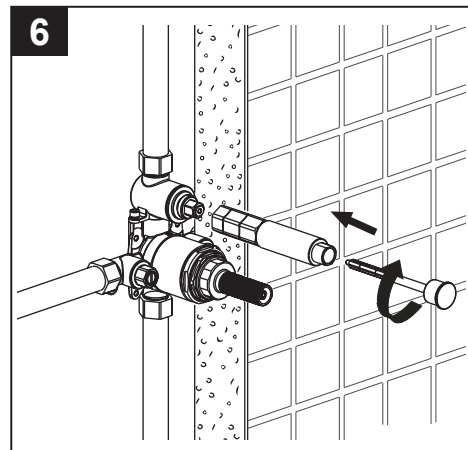
Carefully slide escutcheon on valve. If diverter knob is accessible, go to step #13. If not continue to step #4.



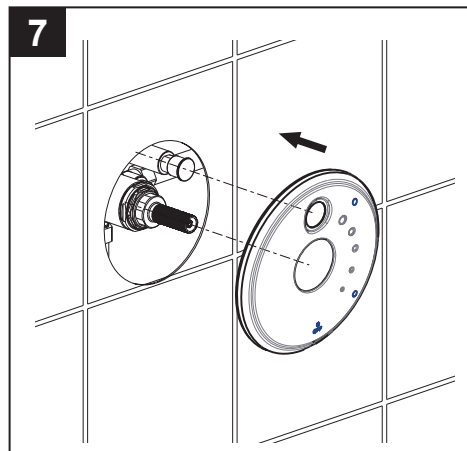
Remove escutcheon, diverter sleeve, stem and button.



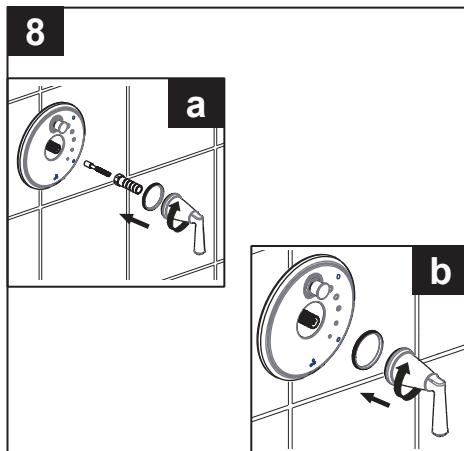
Install the appropriate diverter stem and sleeve extensions supplied with the trim to allow easily access to the diverter button.



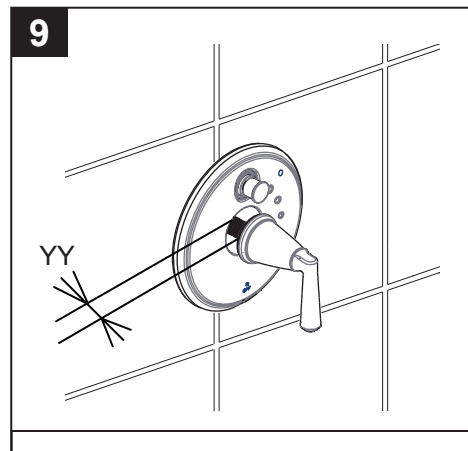
Install diverter stem and sleeve onto the valve.



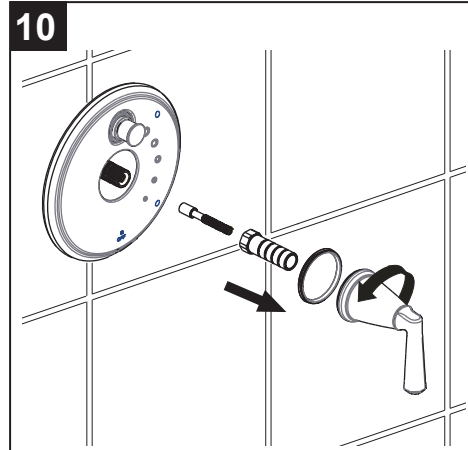
Carefully slide the escutcheon on valve.



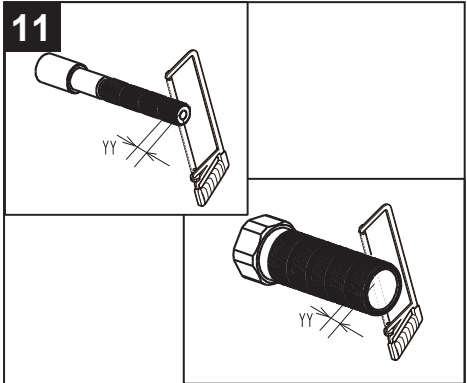
a.) Add the threaded nipple and pressure balance stem extensions.  
b.) Attach handle assembly.



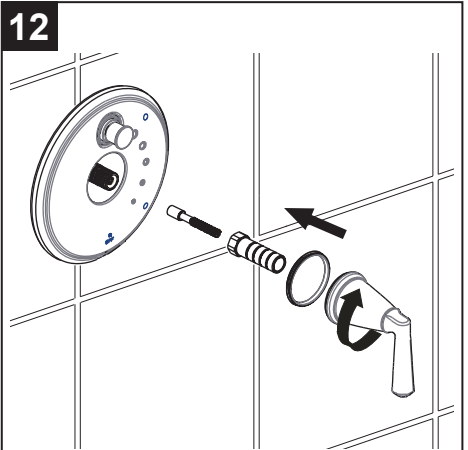
Measure and note the distance 'YY' (the distance between the bottom of the handle assembly and the escutcheon).



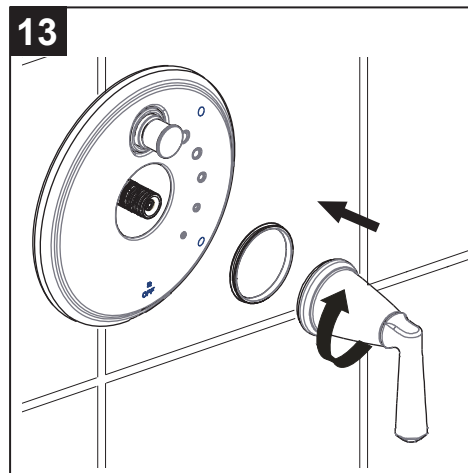
10 Remove the handle and escutcheon assembly, the plate, stem and nipple.



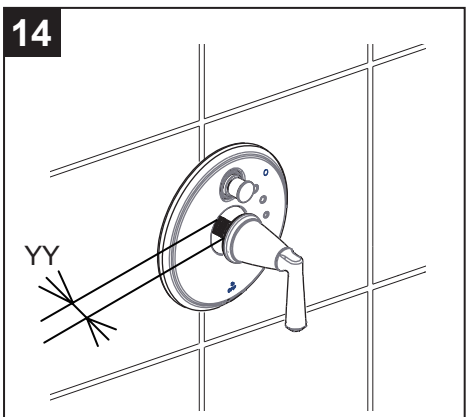
11 Cut stem and nipple extensions the amount noted in step # 9. (Never cut the stem and nipple while still on the valve. This may damage the valve.)



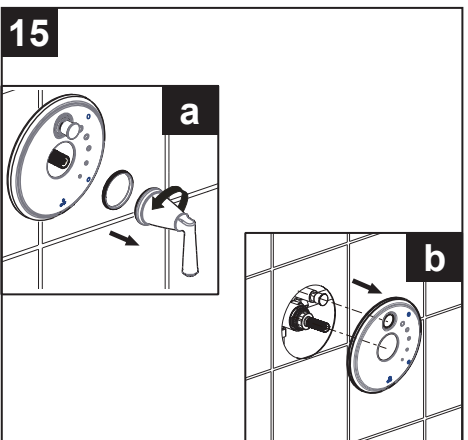
12 Re - install the nipple and stem extensions. Then, go to step #19.



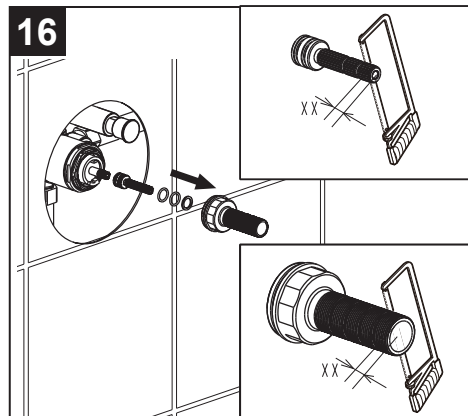
13 Place handle assembly on valve and rotate clockwise to secure escutcheon.



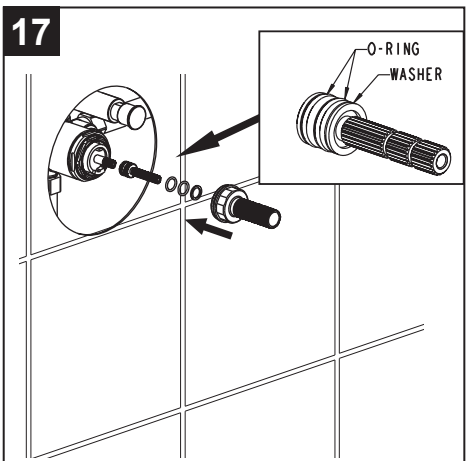
14 Measure and note the distance 'YY' (the distance between the bottom of the handle assembly and the escutcheon).



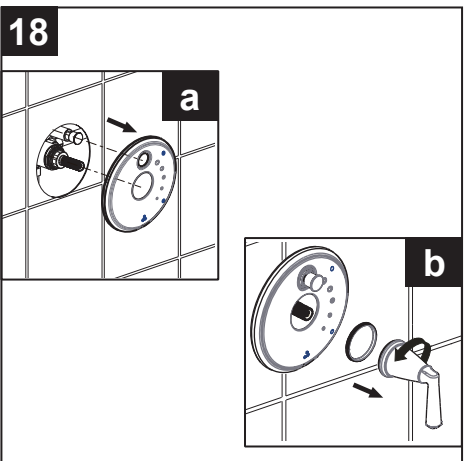
15 Remove the handle and escutcheon assembly, the plate, stem and nipple.



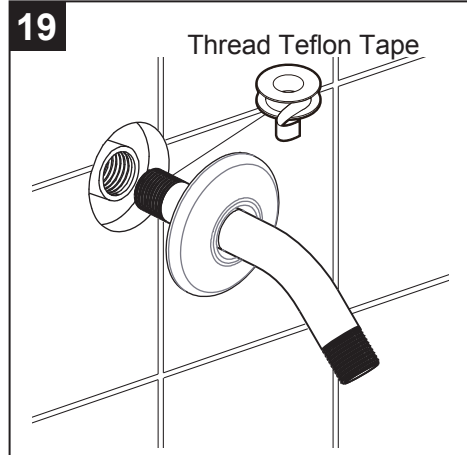
16 Cut stem and nipple the amount noted in step # 14. (Never cut the stem and nipple while still on the valve. This may damage the valve.)



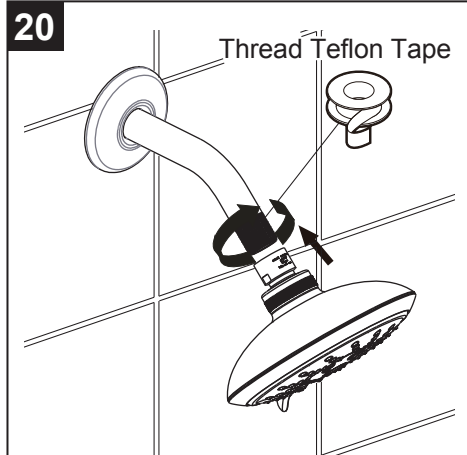
17 Re-install the trimmed stem and nipple on the valve.



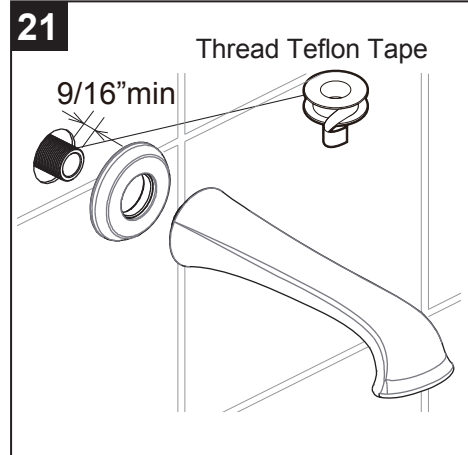
18 Place escutcheon on valve. Thread on handle assembly to secure escutcheon.



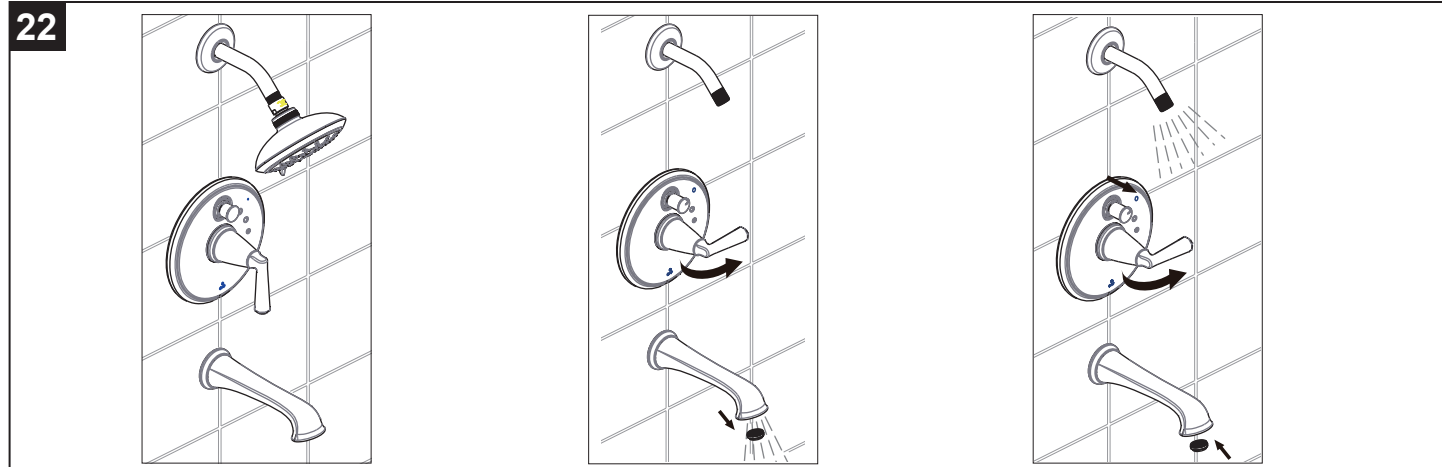
Apply teflon tape to the shower arm and thread clockwise into the nipple and slide on the flange.



Apply teflon tape to the end of the shower arm and thread the showerhead on to the shower arm.

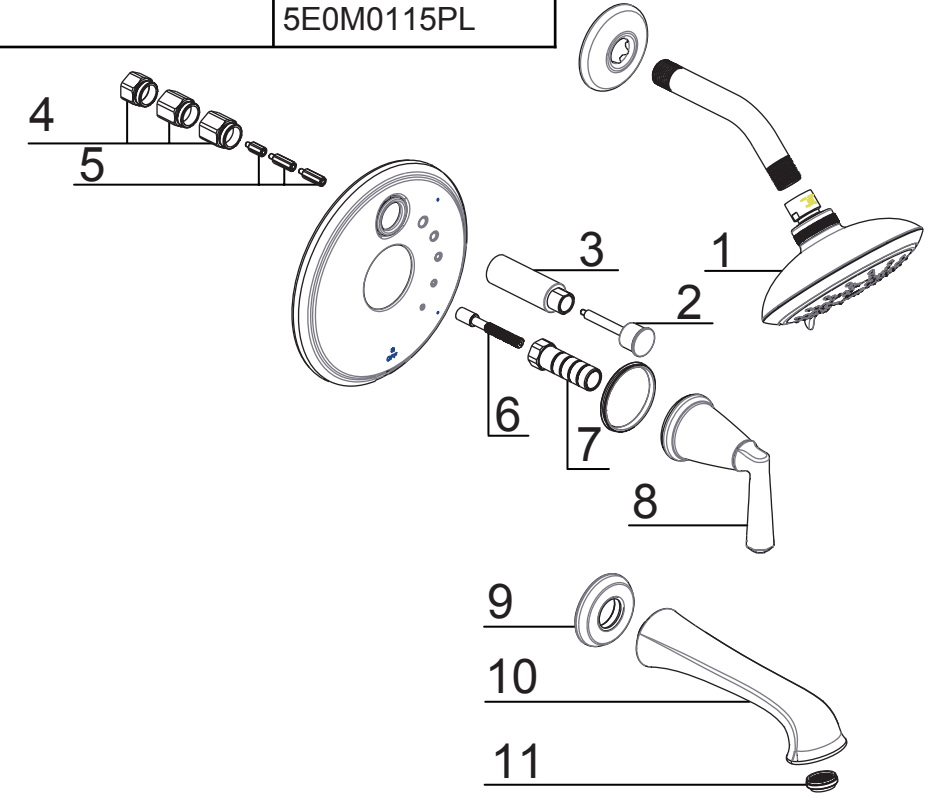


Apply teflon tape to the tub spout nipple and thread on wall tub spout.



Remove tub spout flow guide with tool and flush out debris. Reinstall flow guide and save tool for homeowner. Turn shower valve on and test the diverter.

NO.	Description	Part No.
1	Head Shower	5F0001300CP0A0
2	Diverter Knob & Stem	9Q1174CP
3	Diverter Knob Sleeve	5L0C0871CP
4	Diverter Knob Stem Extensions	9Q1175NT
5	Lengthen lift rod Assembly	9Q1176NT
6	Pressure Balance Stem Extension	5P0C0582NT
7	Threaded Nipple Extension	5T1C0319NT
8	Handle Assembly	9Q225900CP
9	Connector Assembly	9Q225700CP
10	Outlet Assembly	9Q225800CP
11	Aerator	5E0M0115PL



**Limited Lifetime Warranty**

Ultra Faucets warrants to the original purchaser that its products will be free from defects in workmanship and materials. All Ultra Faucets are provided with a life time limited warranty. This warranty does not cover any other labor or service charges associated with the removal, repair, or reinstallation of Ultra Faucets products. This express warranty does not apply to products that have been damaged as a result of misuse, abuse, negligence, accident, faulty installation or maintenance practices and/or used in any manner contrary to those recommended by the manufacturer.

**Need help?** Please call our toll-free customer service line at 1-888-658-5872 for additional assistance or service.  
**Besoin d'aide?** Veuillez communiquer avec notre service à la clientèle au numéro gratuit 1-888-658-5872 pour tous renseignements ou services complémentaires.  
**¿Requiere asistencia?** Llame a nuestro Servicio al Cliente, sin costo, al 1-888-658-5872 para asistencia adicional o servicio.